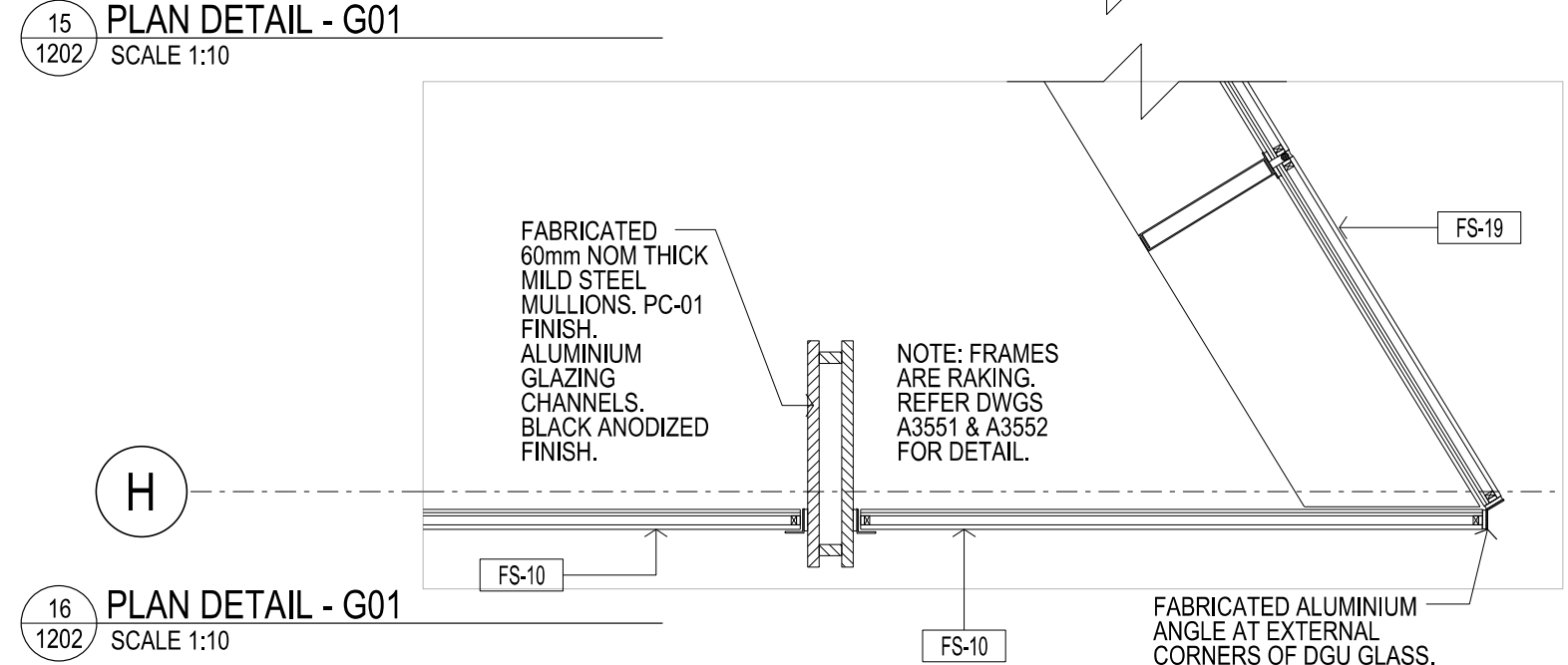
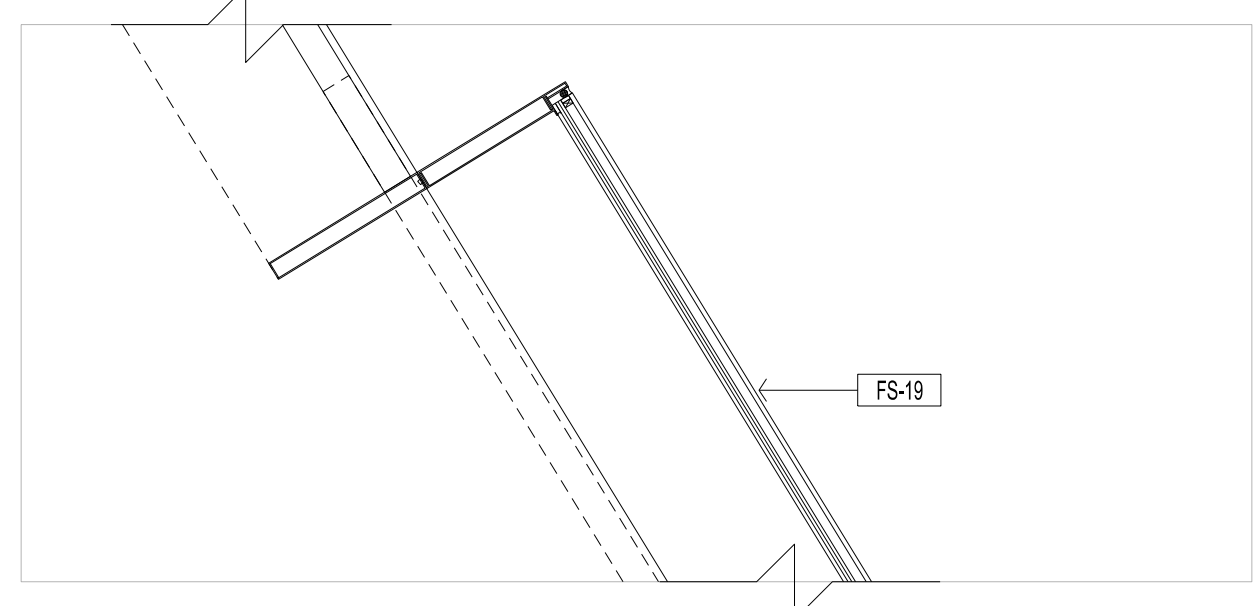
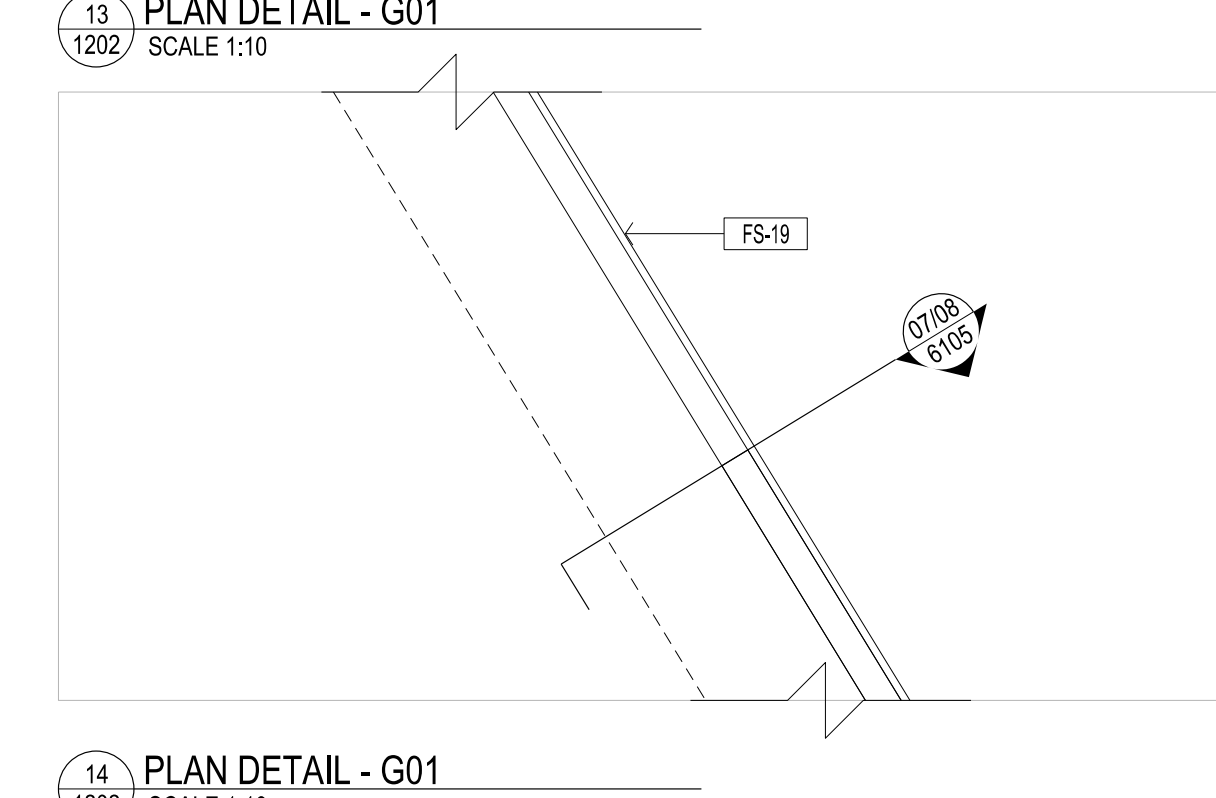
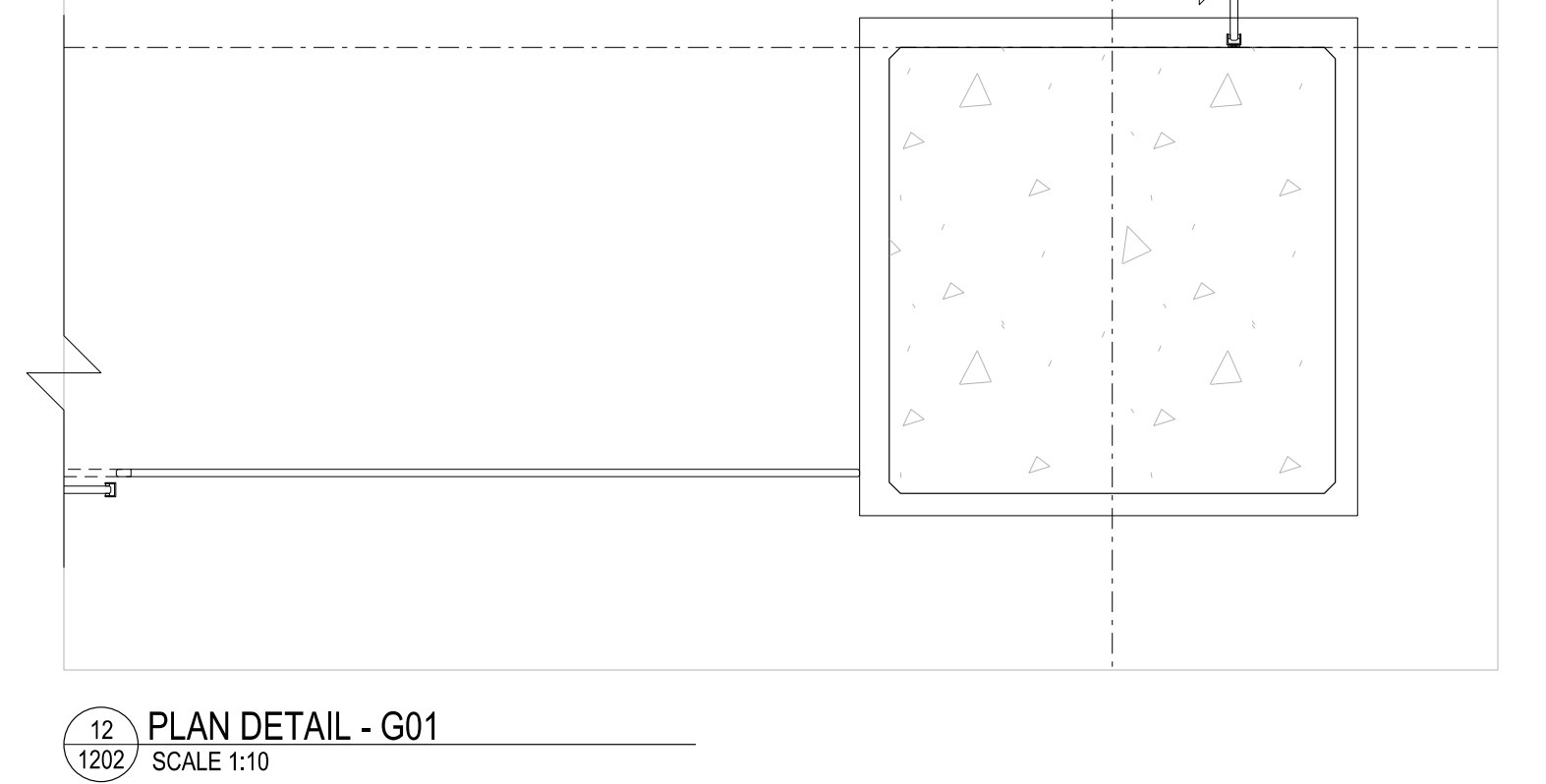
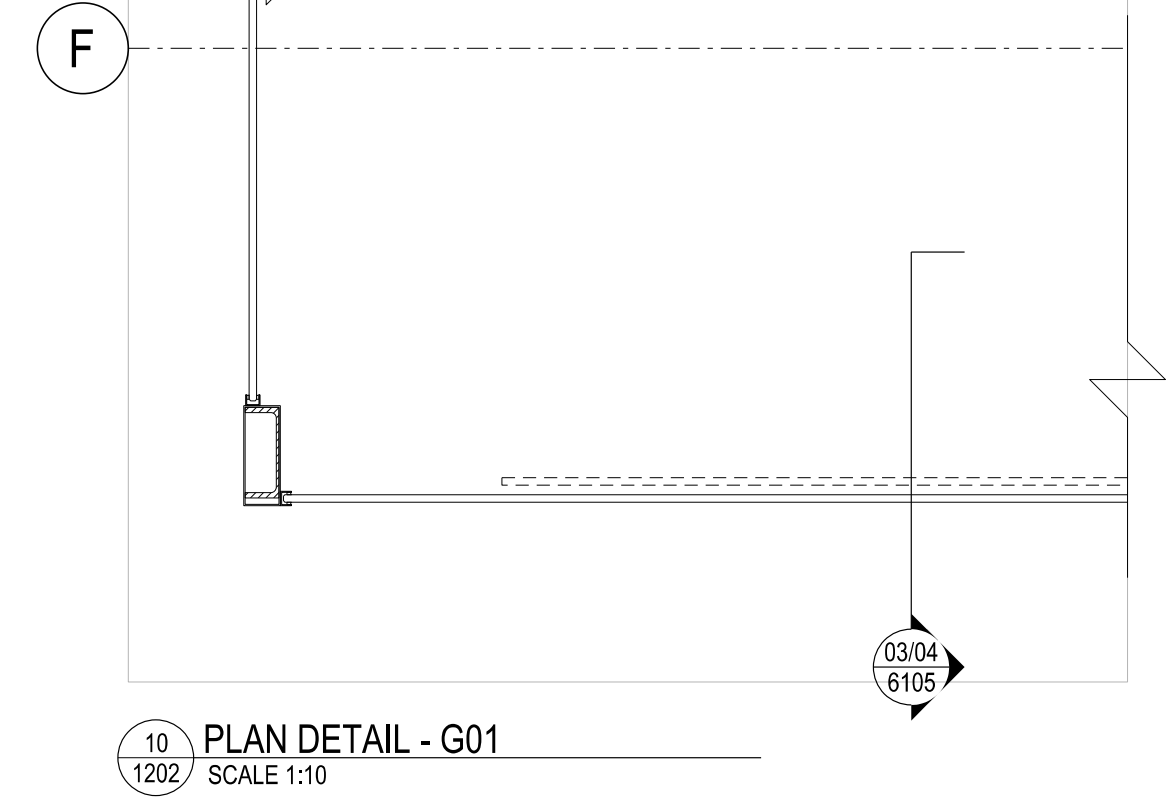
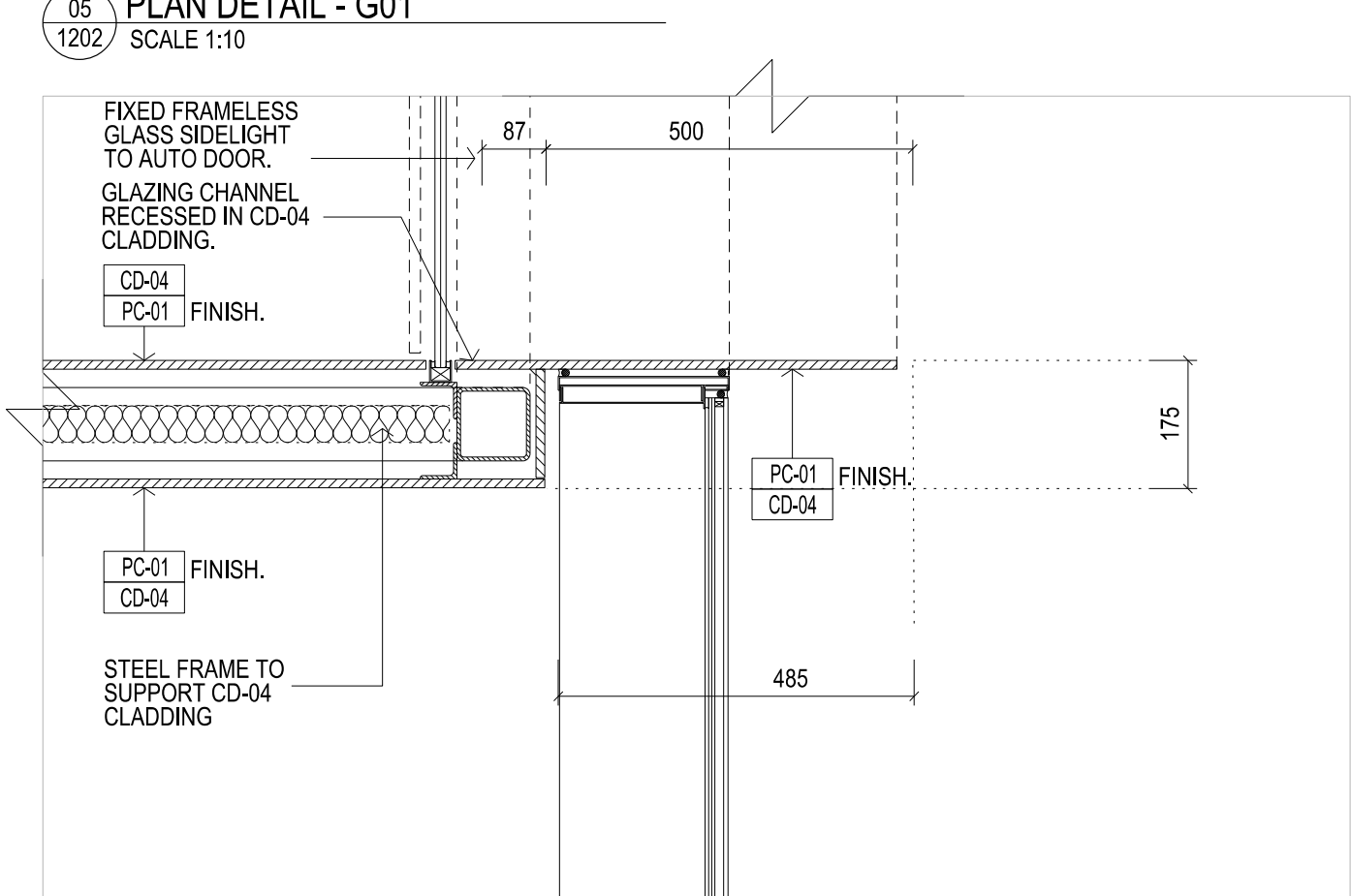
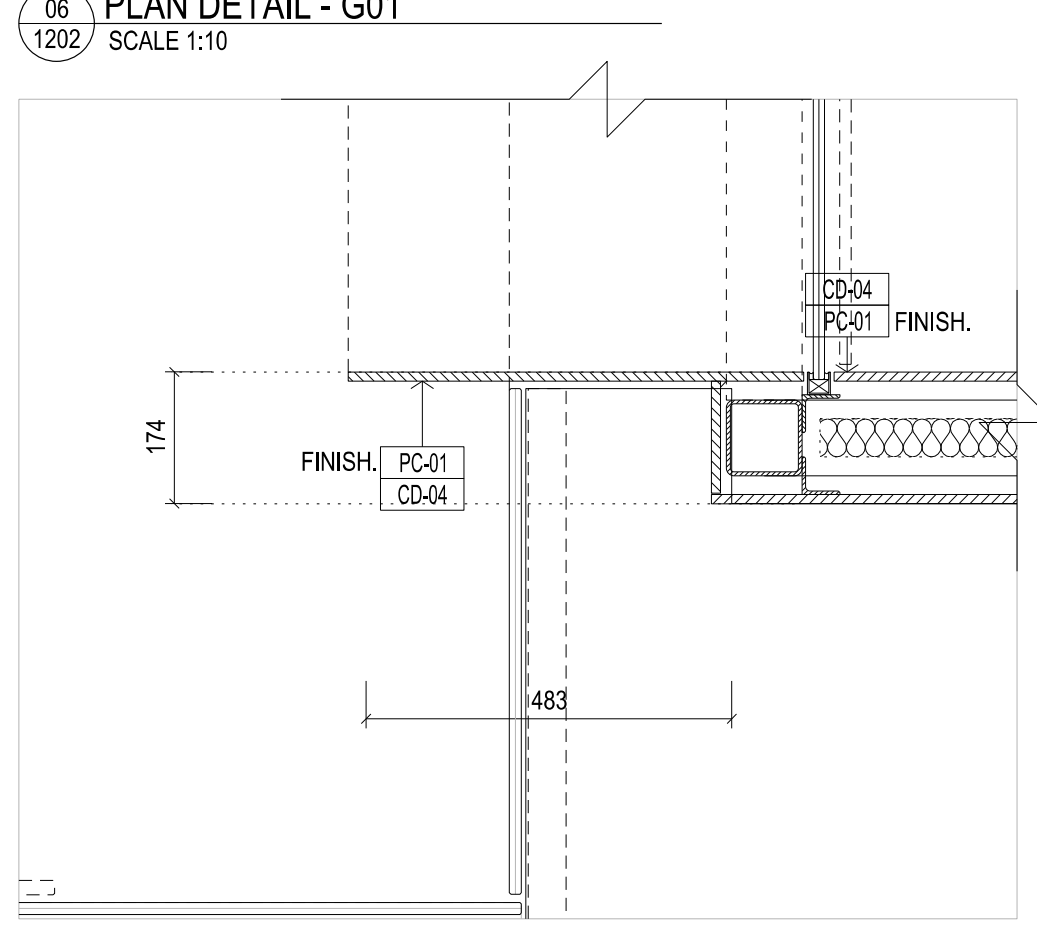
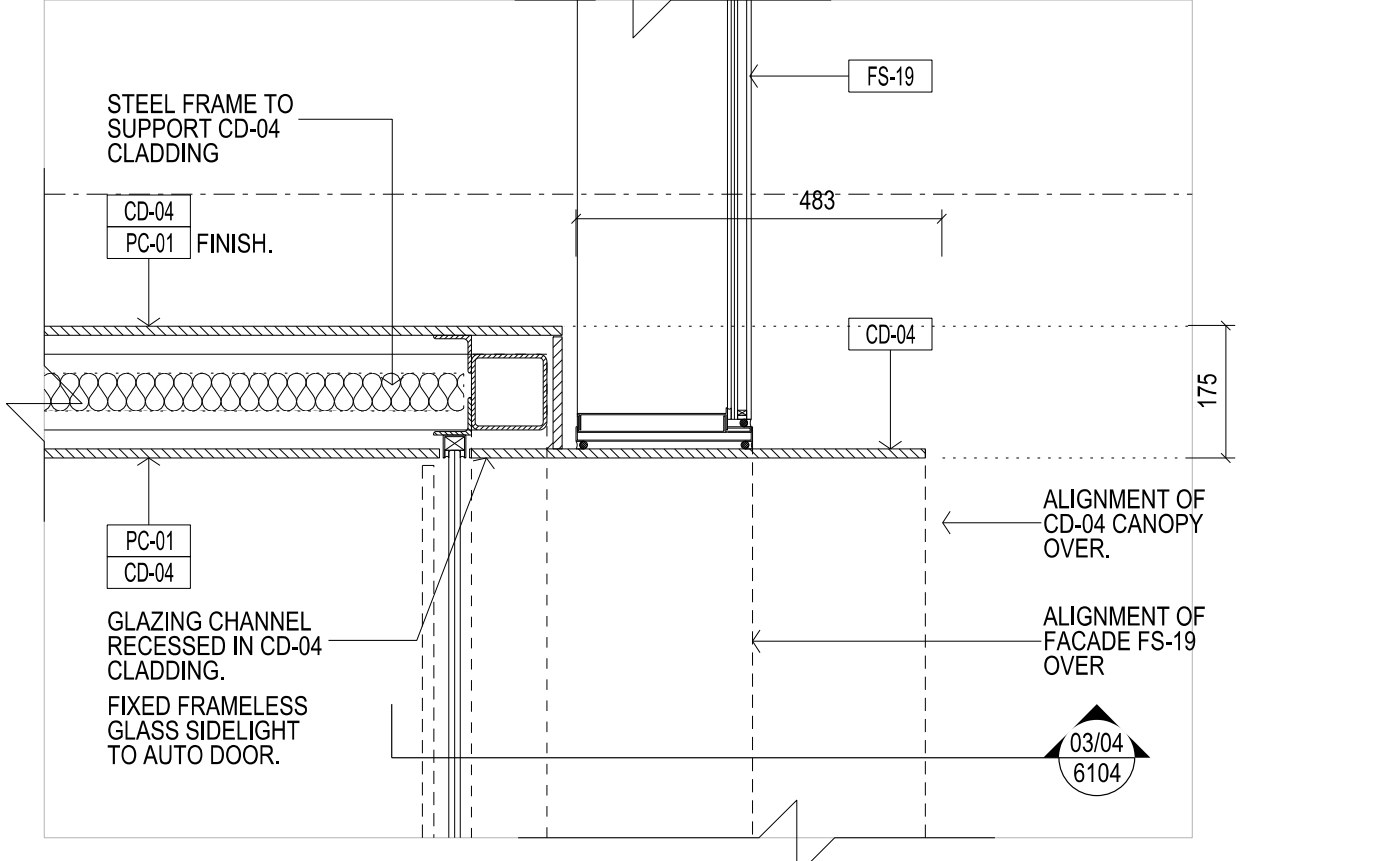
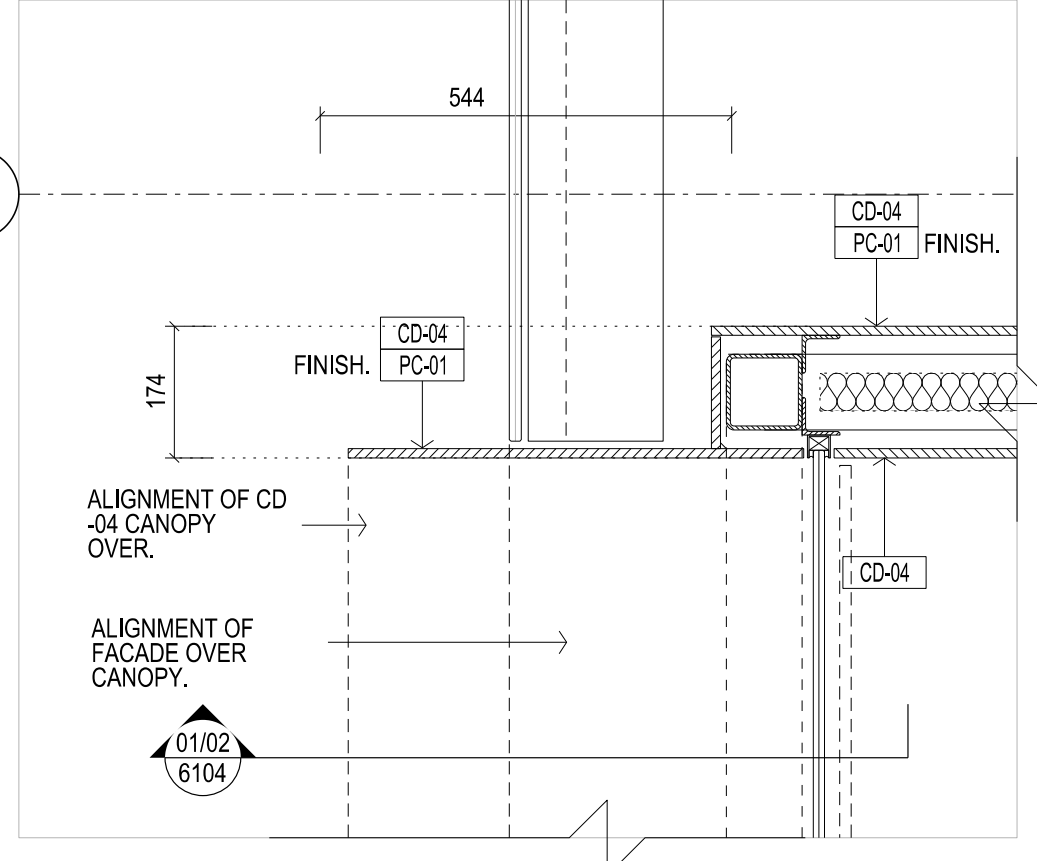
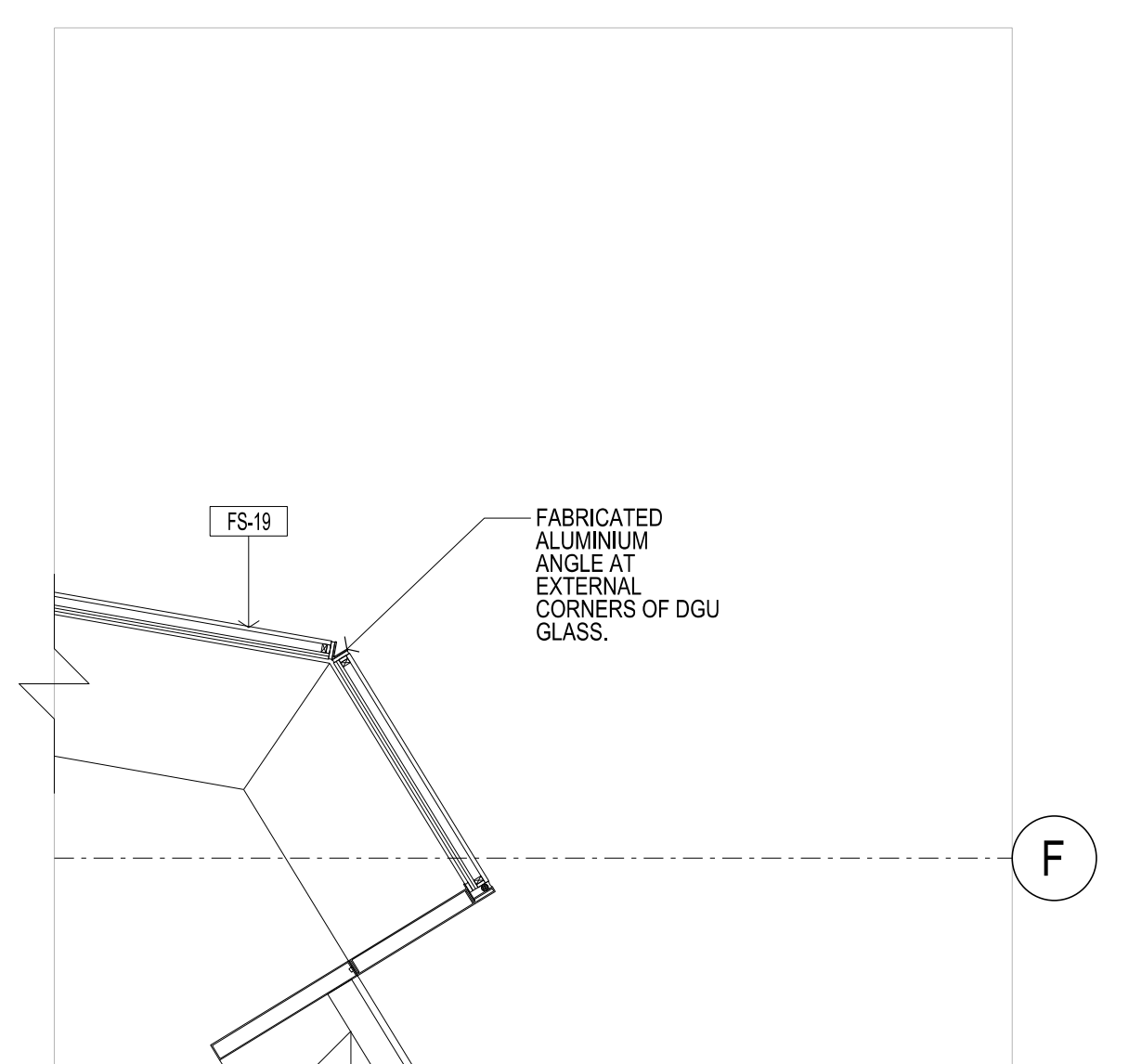
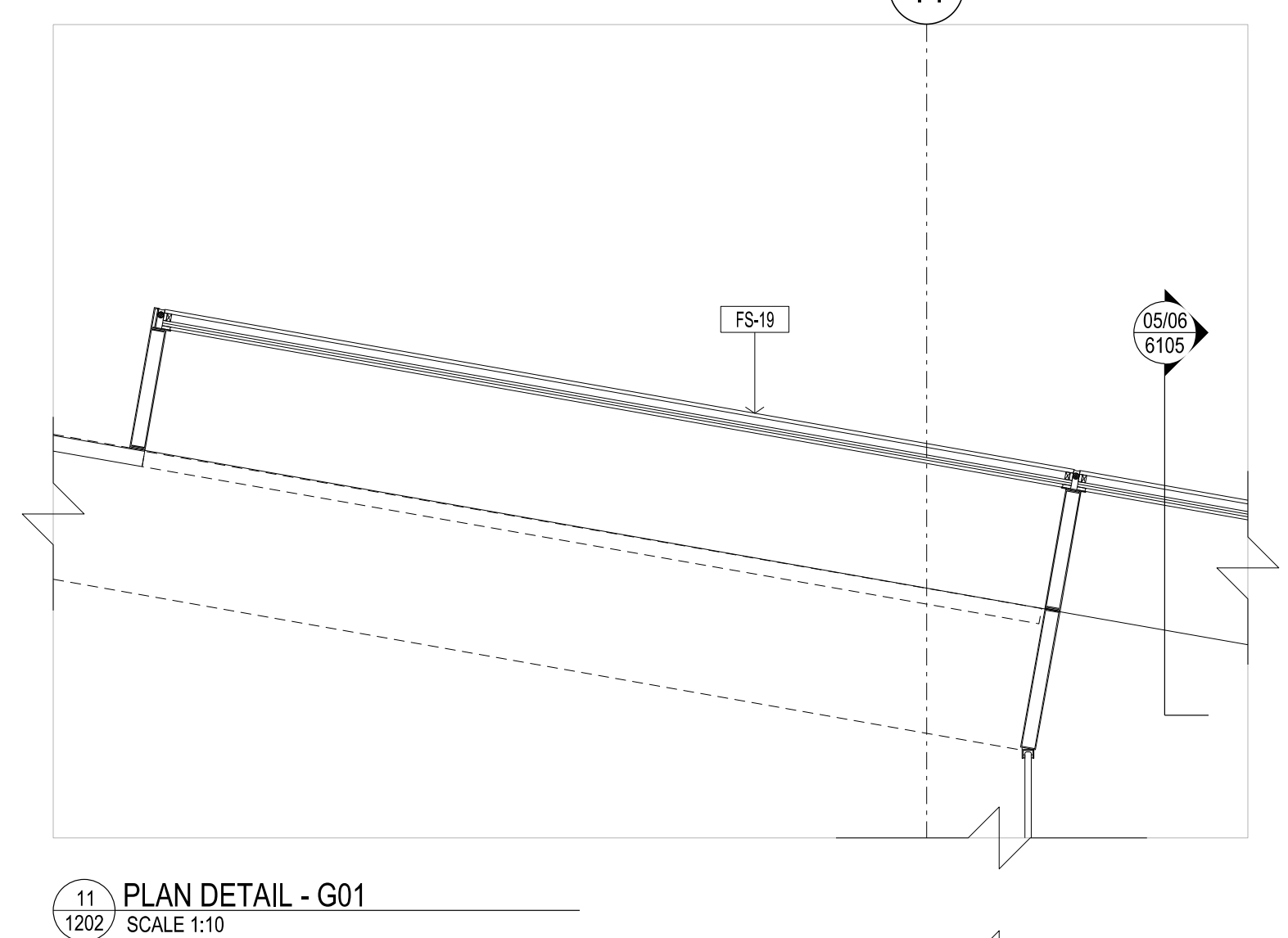
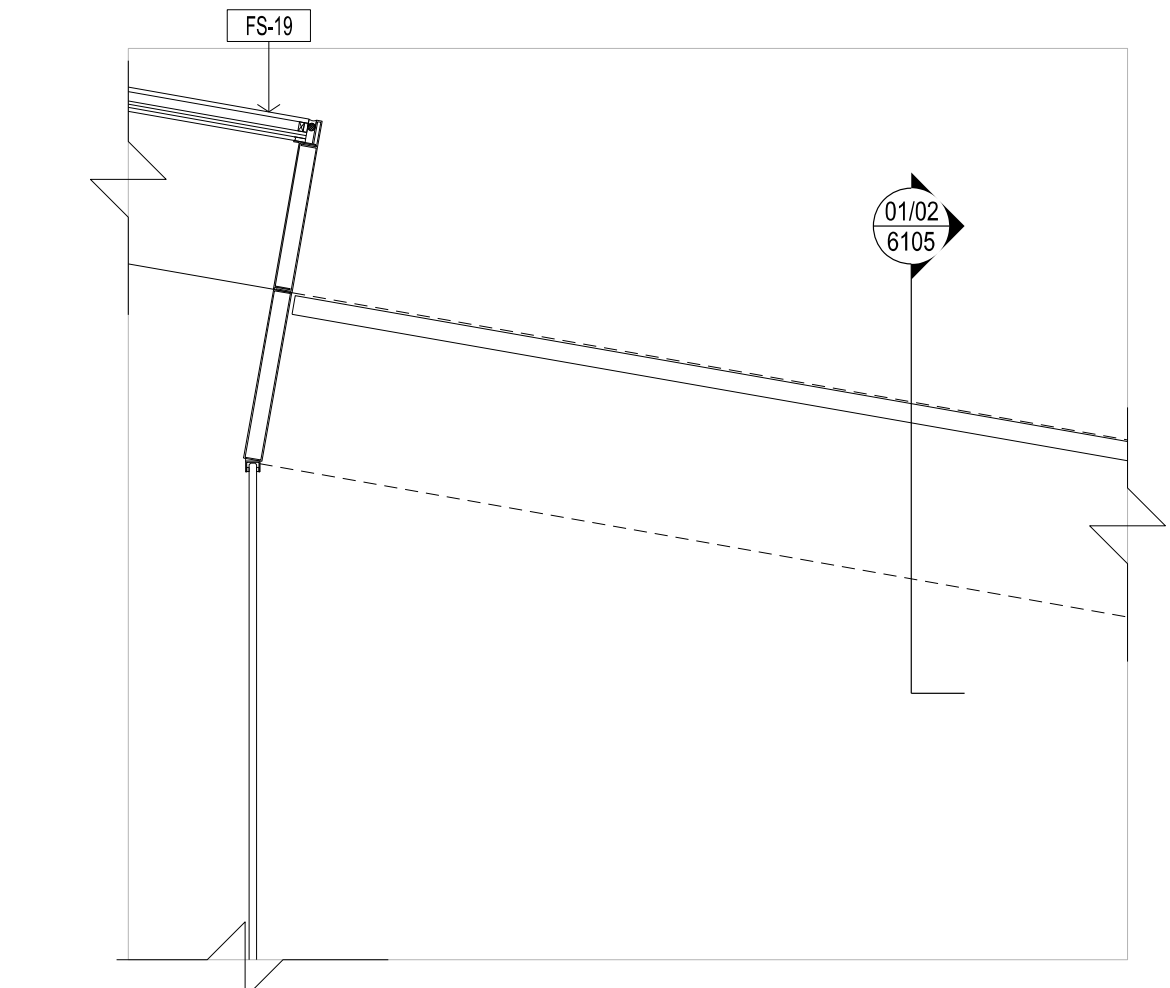
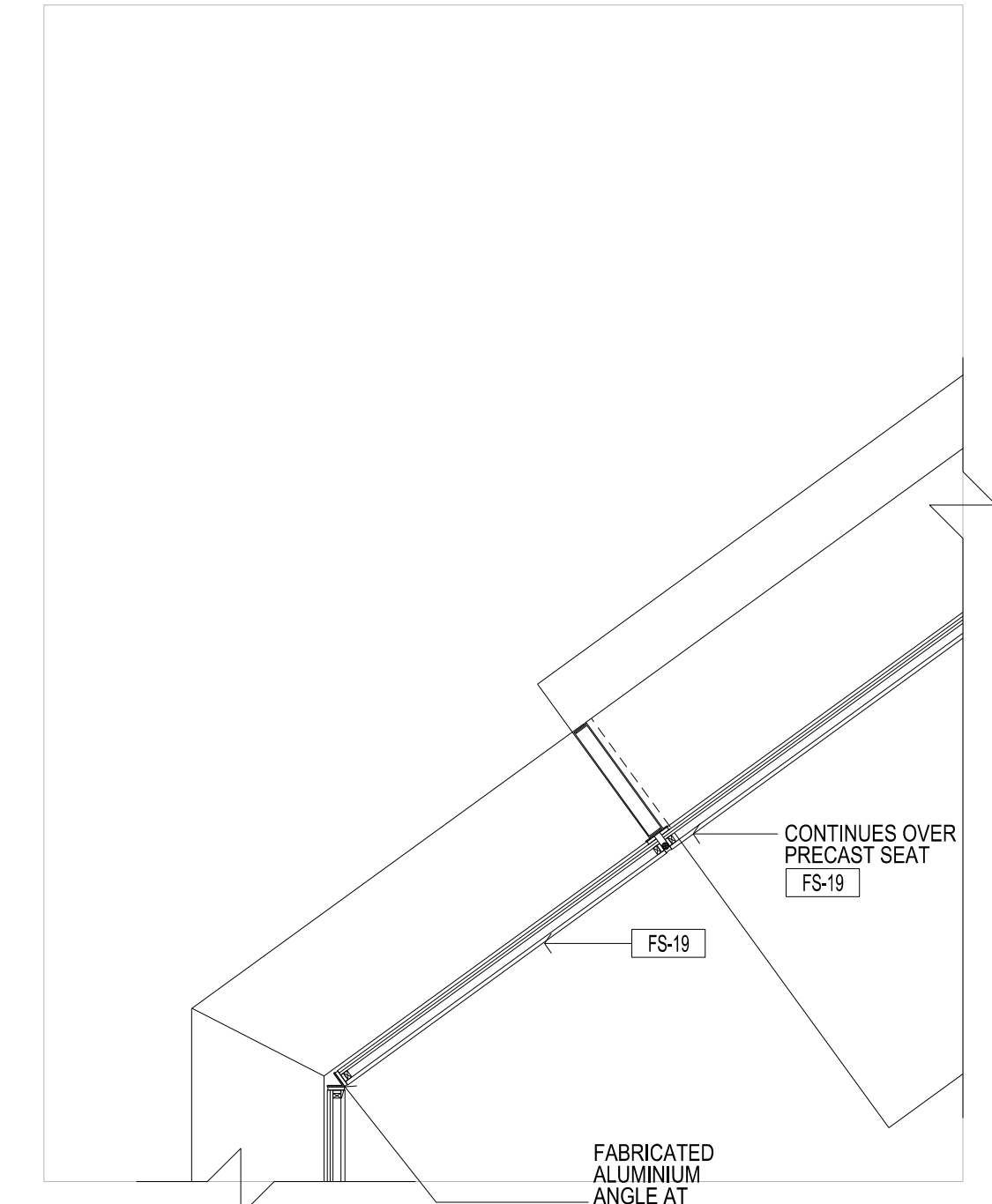
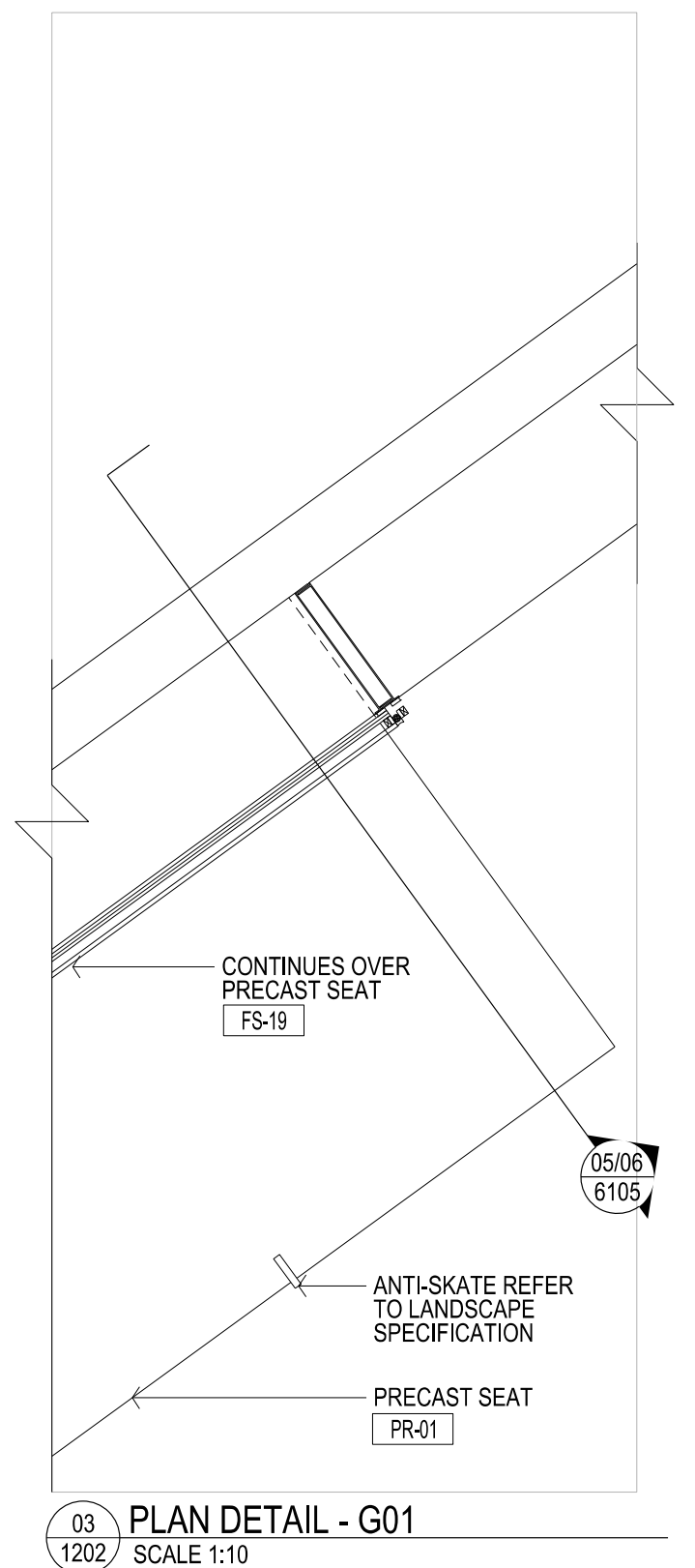
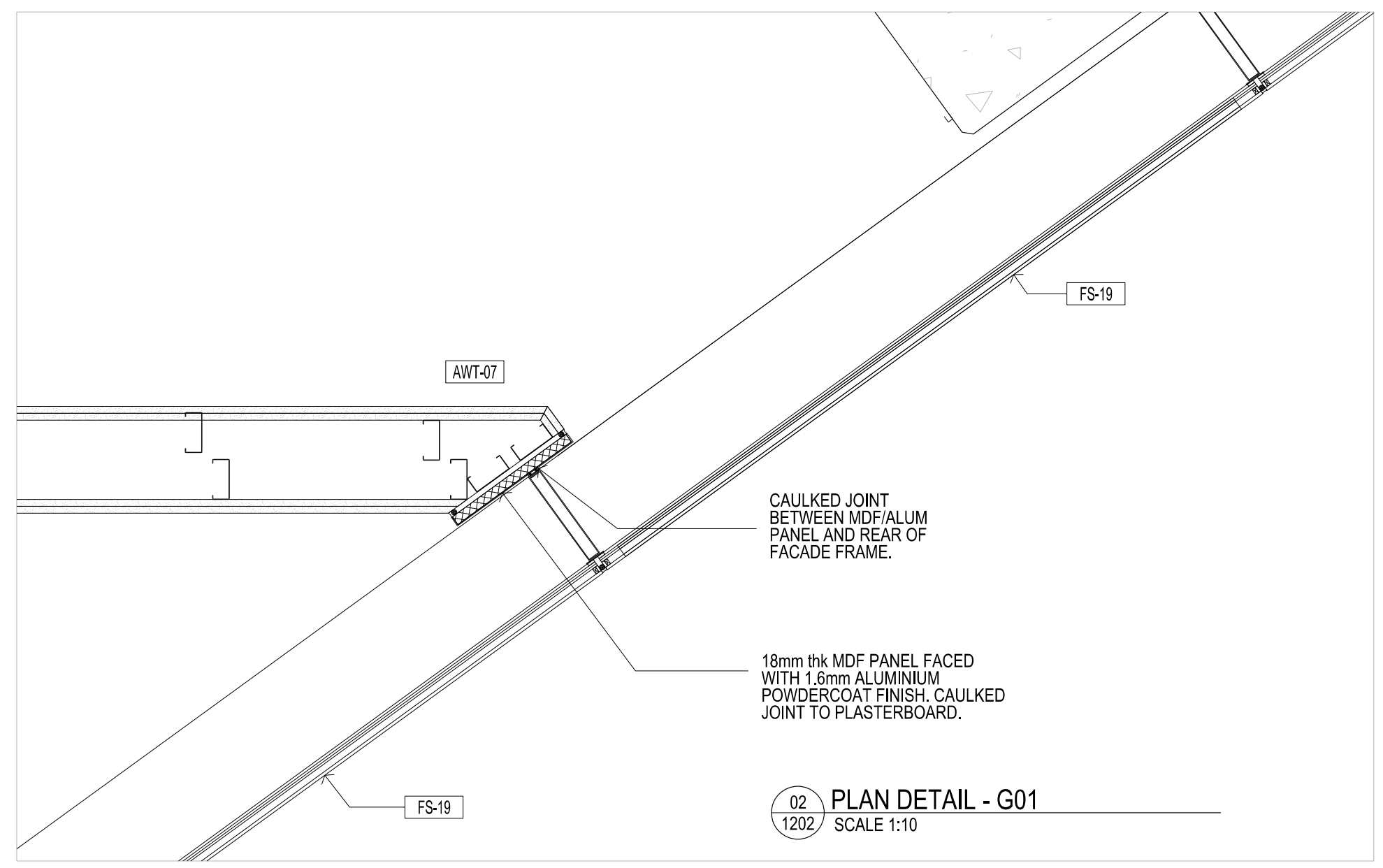
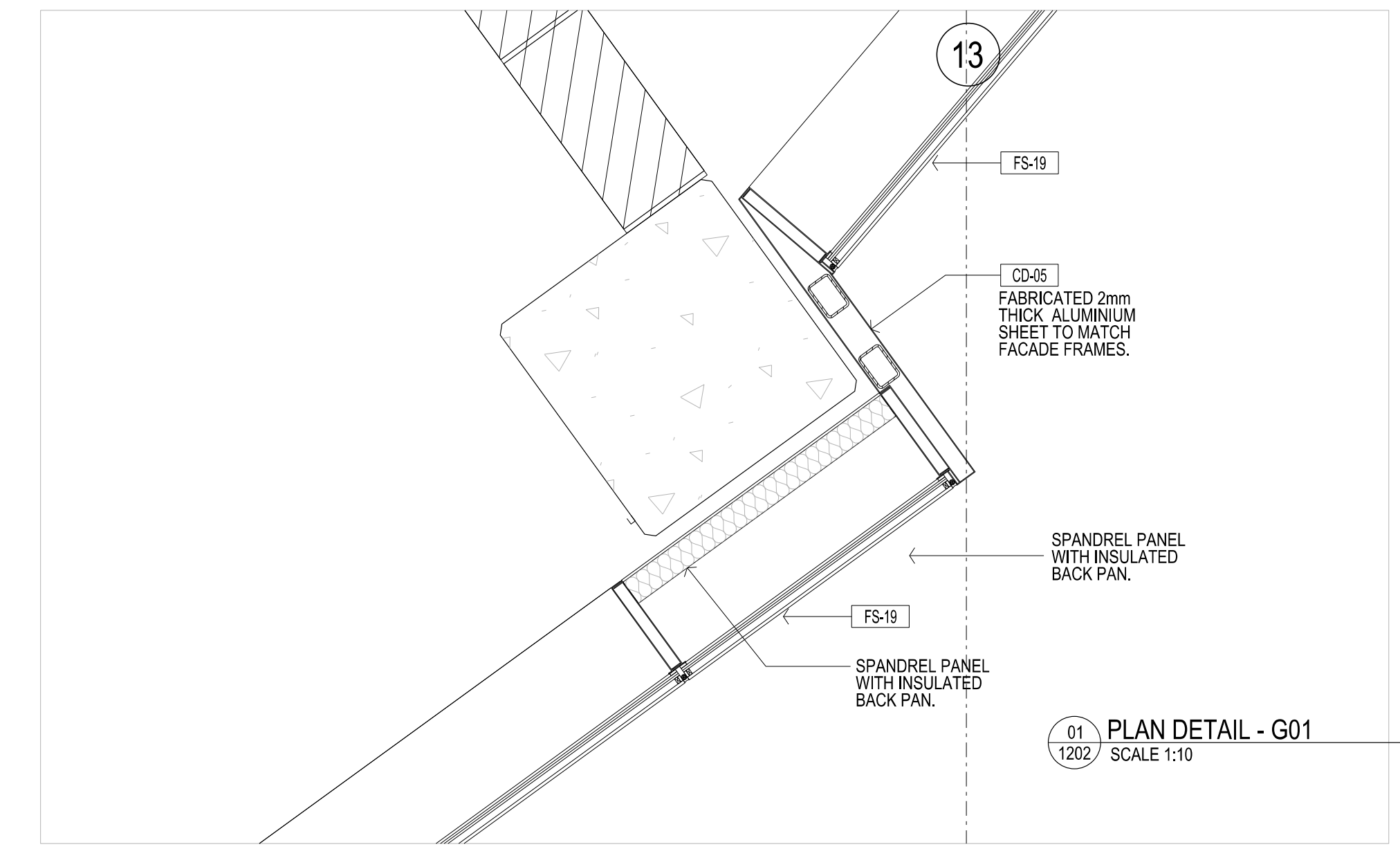


CONTRACTORS SHALL VERIFY JOB DIMENSIONS BEFORE ANY JOB COMMENCES. ALL SHOP DRAWINGS SHALL BE SUBMITTED TO THE SUPERINTENDENT AND MANUFACTURERS SHALL NOT COMMENCE FROM THE RESULTS OF DIMENSIONS SHOWN DRAWINGS BEING BY THE CONSULTANT. FIGURED DIMENSIONS SHALL TAKE PRECEDENCE OVER SCALED. THIS DRAWING SHALL BE READ IN CONJUNCTION WITH ALL RELEVANT CONTRACT SPECIFICATIONS AND DRAWINGS COPYRIGHT OF THIS DRAWING IS VESTED IN HANDLE.

General Notes

REFER ARCHITECTURAL DRAWINGS:

- FACADE SETOUT AR1502-AR1507
- PRECAST SETOUT AR1512-AR1517
- SCREEN SETOUT AR1502-AR1557
- SCREEN DETAILS AR6550-AR6554



Rev	Issue	Revision Description	And	Date
A	SG	PLASTERBOARD PACKAGE	-	18.05.13
05	SG	TENDER ISSUE	-	12.04.13
04	SG	100% CD ISSUE	-	07.09.12
03	SG	90% CD ISSUE	-	10.08.2012
02	SG	75% CD ISSUE	-	13.07.2012
01	SG	55% CD ISSUE	-	08.05.2012



NADAAA
 NADAAA
 1520 Washington Street No.2 Boston Massachusetts 02115 USA
 Telephone +1 617 442 8232 Facsimile +1 688 442 1417 Email nad@nadaaa.com

John Wardle Architects
 25 Rokeby Street, Collingwood, Victoria 3066 Australia
 Tel: +61 3 8662 0400 www.johnwardlearchitects.com
 © 2012 John Wardle Architects ABN 83 006 814 268

Client **University of Melbourne Parkville Campus**

Project **Faculty of Architecture Building and Planning**

Title **PLAN DETAILS G01 - SHEET 4**

Project No.	0913	Scale	1:10 @ A0 1:20 @ A2
Drawing No.	AR6003	Revision	A

Date Dec 2011 Dwn - Co-Ord - Chk -

FILENAME - SFILES

FOR CONSTRUCTION